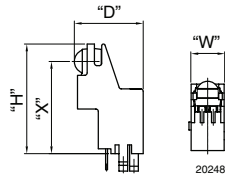
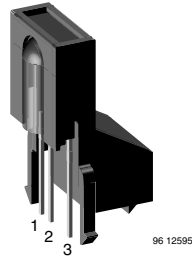


IR Receiver Modules for Remote Control Systems


FEATURES

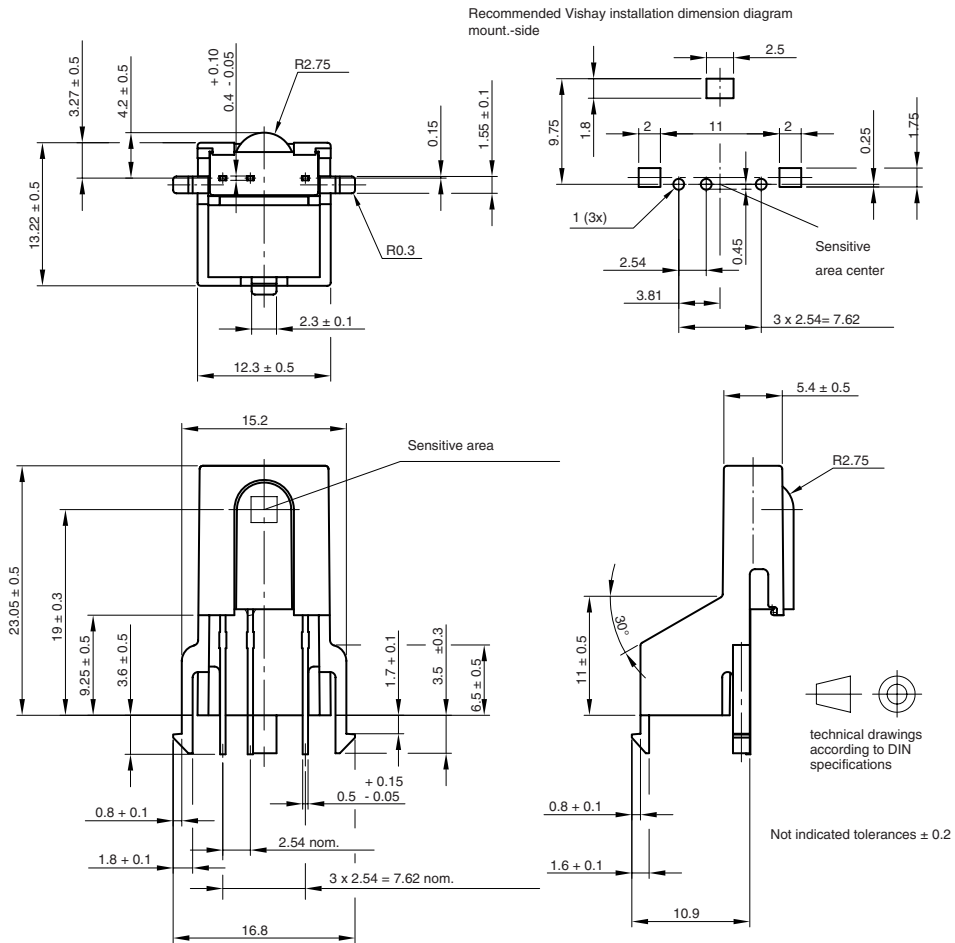
- Compliant to RoHS directive 2002/95/EC and in accordance to WEEE 2002/96/EC


AVAILABLE FOR:

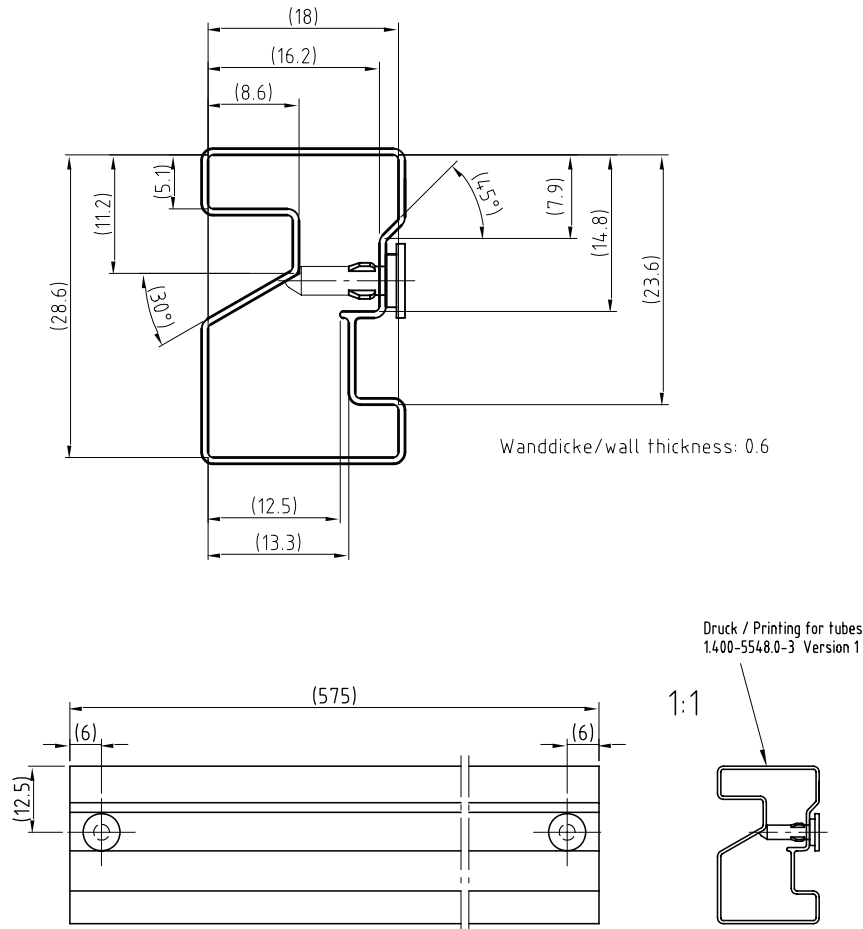
- TSOP31...
- TSOP1...


RoHS COMPLIANT

NAME	LENS AXIS (X)	VIEW	TYPE	HEIGHT (H)	WIDTH (W)	DEPTH (D)
XG1	19	Side	Holder	23.05	15.2	14.15

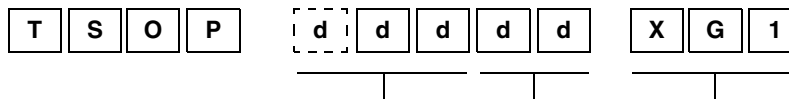
MECHANICAL DIMENSIONS in millimeters

 Drawing-No.: 6.550-5134.01-4
 Issue: 6; 04.08.09
 9612224

PACKAGING DIMENSIONS in millimeters



Drawing-No.: 9.700-5164.0-4
Rev. 5; Date: 20.11.03
20310-1

ORDERING INFORMATION



2 or 3 digit product series 2 digit frequency Holder type

Note

d = "digit", please consult the list of available series on the previous page to create a valid part number.

Example: TSOP31238XG1

PACKING QUANTITY

- 34 pieces per tube
- 12 tubes per carton